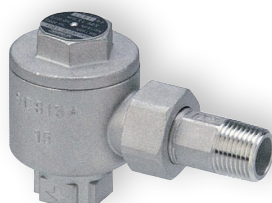


**Product Range Extension**

# Balanced Pressure Thermostatic Steam Trap: Model DC2

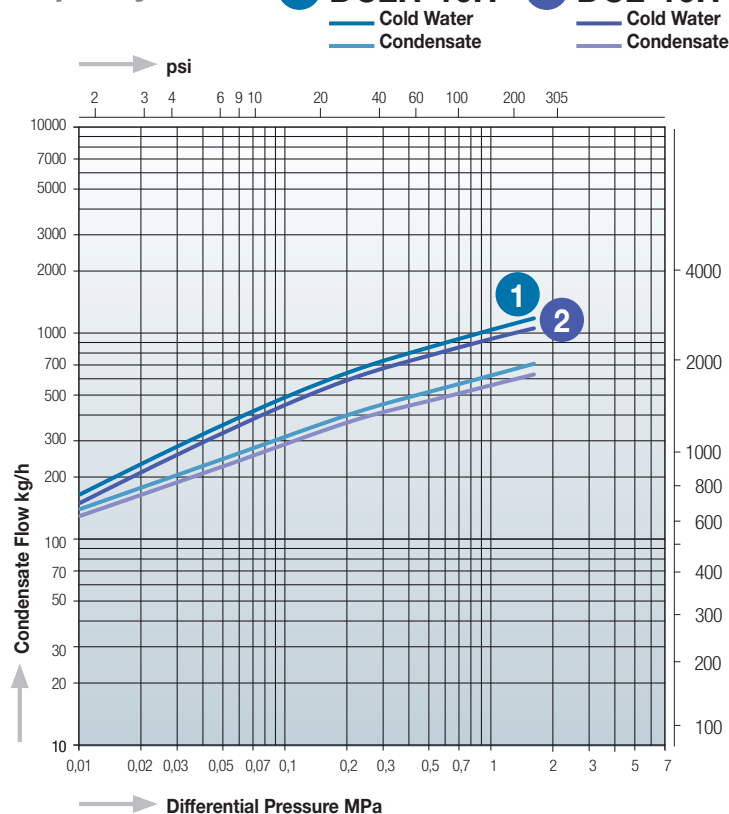
Starting from August 1, 2014 MIYAWAKI will start to sell the new balanced pressure thermostatic steam trap DC2.

The steam trap is mainly designed for the installation at sterilizers in the food industry, chemical and pharmaceutical industries (Model DC2R). A special orifice in the trap secures a rapid discharge of condensate from the trap, when the sterilizer stops to operate. Due to its compact design and the stainless steel construction the trap can be used also for many other applications. The trap discharges the condensate at 5°C (9°F) below saturation temperature.

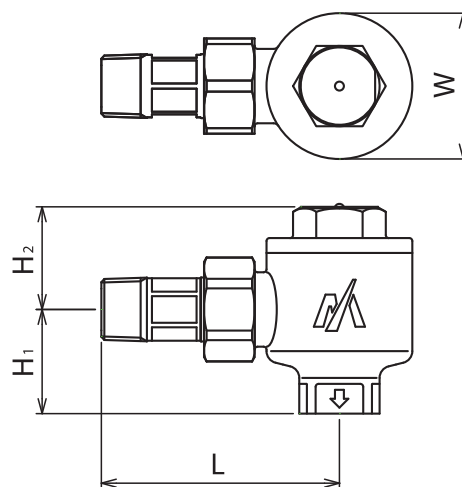


Model	Connections	Size	PMO		TMO		Body material
			MPa	psig	°C	°F	
DC2R-16H	Inlet: R Outlet: Rc, NPT	½"	1,6	230	220	428	Stainless steel SCS13A
DC2-16H							

**Capacity Chart** ① DC2R-16H ② DC2-16H



**Dimensions & Weight**



Dimensions mm (in)				Weight kg (lb)
L	H <sub>1</sub>	H <sub>2</sub>	W	
80 (3.1)	35 (1.4)	35 (1.4)	49 (1.9)	0,7 (1.5)

Issued: July 2014



MIYAWAKI Inc.  
 2-1-30, Tagawakita, Yodogawa-ku, Osaka 532-0021  
 JAPAN  
 Tel.: + 81 - 6 - 6302 - 5549, Fax: + 81 - 6 - 6305 - 7155  
 E-Mail: export@miyawaki-inc.co.jp  
 Website: www.miyawaki.net



MIYAWAKI GmbH  
 Birnbaumsmühle 65, 15234 Frankfurt (Oder)  
 GERMANY  
 Tel.: 49-335-4007 00 97, Fax.: 49-335-400 01 22  
 e-mail: info@miyawaki.de  
 website: www.miyawaki.de