

Ball Float Steam Trap G20

Product improvement and model name change

MIYAWAKI would like to announce the following improvements made to the model G20:

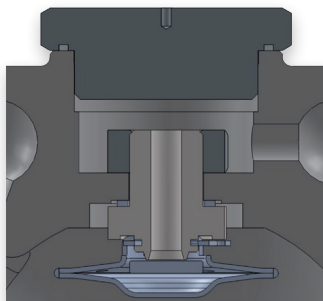
1. Addition of a stainless steel protector to the air vent
2. Change of the design of the air vent plug
3. Change of the size of the air vent nut (19 mm → 17 mm)
4. Increase of the length of the air vent seat (+ 2mm)

Due to the improvement the model name will be changed to **G20N**.
The technical specification of the product has not been changed.

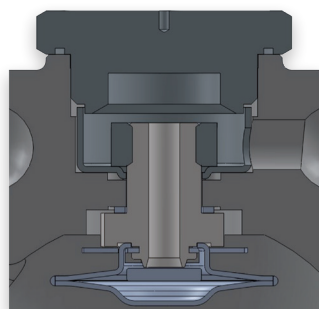
Schedule of changes

The replacement of the models G20 by the improved model G20N will be realized step-by-step. The date of starting the deliveries of the new model with the new air vent design depends on the sales of the old body stock. So far, we ask for understanding that depending on the size and the type of connection this date may vary.

G20N



Current Model G20



New Model G20N

