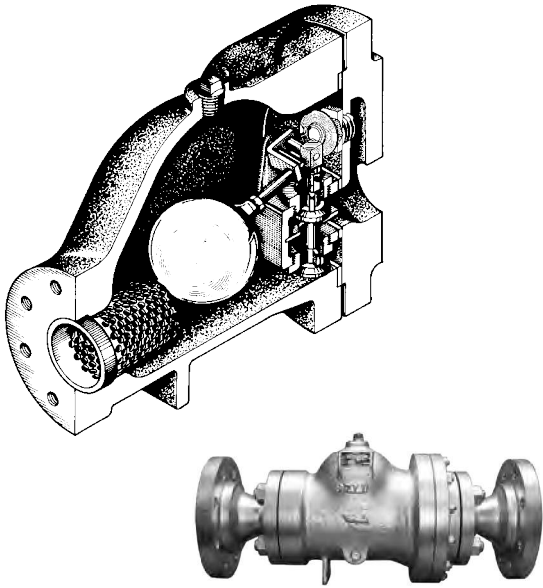
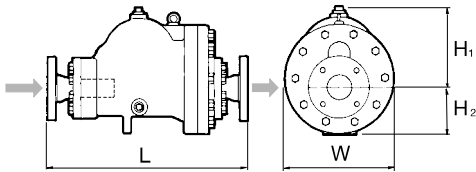


G3N, G5 GH3N, GH5



Dimensions G3N-R, G5-R, GH3N-R, GH5-R



Capacity Chart

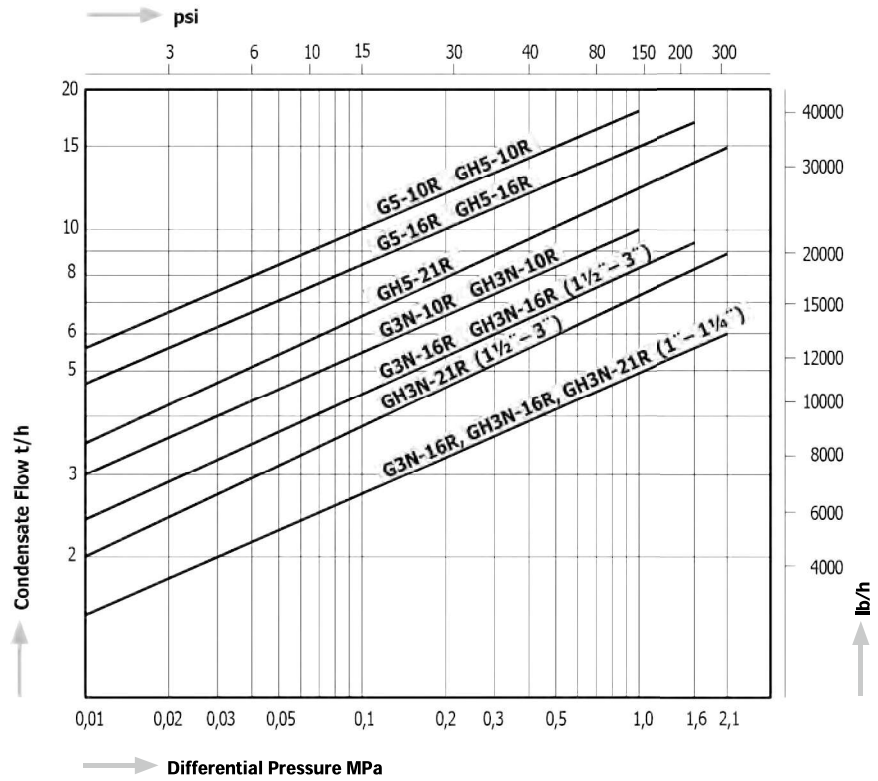


Table 1: Dimensions (ASME and DIN)

Model	Flange Standards		Size	L (mm)	L (in)
G3N-R	DIN PN16	ASME 150 lb / 300 lb RF	DN25 - DN40	1" - 1 1/2"	437 / 17.2
			DN50	2"	467 / 18.4
			DN60, DN80	2 1/2", 3"	497 / 19.6
GH3N-R	DIN PN40	ASME 150 lb / 300 lb RF	DN25, DN32	1", 1 1/4"	457 / 18.0
			DN40	1 1/2"	477 / 18.8
			DN50	2"	487 / 19.2
			DN65, DN80	2 1/2", 3"	517 / 20.4

Model	Flange Standards		Size	L (mm)	L (in)
G5-R	DIN PN16	ASME 150 lb / 300 lb RF	DN50	2"	540 / 21.3
			DN65, DN80	2 1/2", 3"	570 / 22.4
			DN100	4"	600 / 23.6
GH5-R	DIN PN40	ASME 150 lb / 300 lb RF	DN50	2"	550 / 21.7
			DN65, DN80	2 1/2", 3"	580 / 22.8
			DN100	4"	620 / 24.4

Model	Connections	Size	Max. Operating Pressure		Max. Operating Temperature		Dimensions (mm)				Dimensions (in)			Body Material	Weight													
			MPa	psig	°C	°F	L	H1	H2	W	H1	H2	W		kg	lb												
G3N - 10R 16R	Flanged JIS, ASME, DIN	1 1/2" - 3"	1.0	145	235	455	Table 1 (*1)	140	95	198	5.5	3.7	7.8	Ductile Cast Iron FCD 450	28 - 31 (*2)		62 - 68 (*2)											
		1" - 3"	1.6	230											52 - 69 (*2)		114 - 152 (*2)											
G5 - 10R 16R		2" - 4"	1.0	145											205	110	270	8.1	4.3	10.6	38 - 50 (*2)		84 - 110 (*2)					
		2" - 4"	1.6	230																	63 - 80 (*2)		139 - 176 (*2)					
GH3N - 10R 16R		1 1/2" - 3"	1.0	145											400	752	Table 1 (*1)	139	106	212	5.5	4.2	8.3	Cast Steel SCPH2	28 - 31 (*2)		62 - 68 (*2)	
		1" - 3"	1.6	230																					52 - 69 (*2)		114 - 152 (*2)	
GH5 - 10R 16R		2" - 4"	1.0	145	200	115		270	7.9	4.5	10.6	38 - 50 (*2)		84 - 110 (*2)														
		2" - 4"	1.6	230								63 - 80 (*2)		139 - 176 (*2)														
GH5 - 21R		2" - 4"	2.1	305																								
		2" - 4"	2.1	305																								

(*1) Please look at our technical drawings for JIS dimensions.

(*2) Depending on size and flange standard the weight of the traps differs. Please, look at our technical drawings.

Stainless Steel as body material for GH3N and GH5 is available as special design. For more details, please contact MIYAWAKI Inc. or an authorized representative.