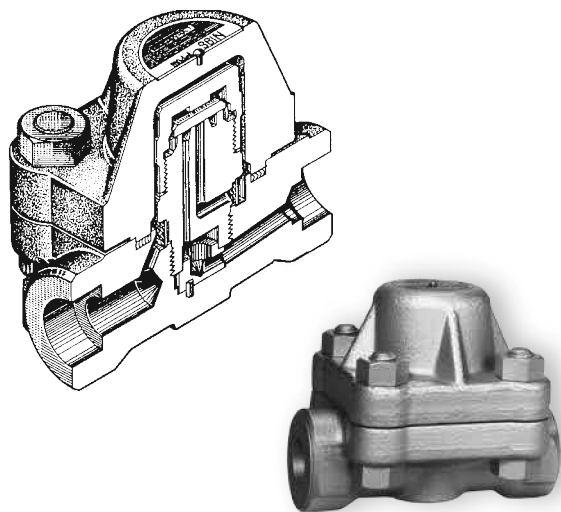
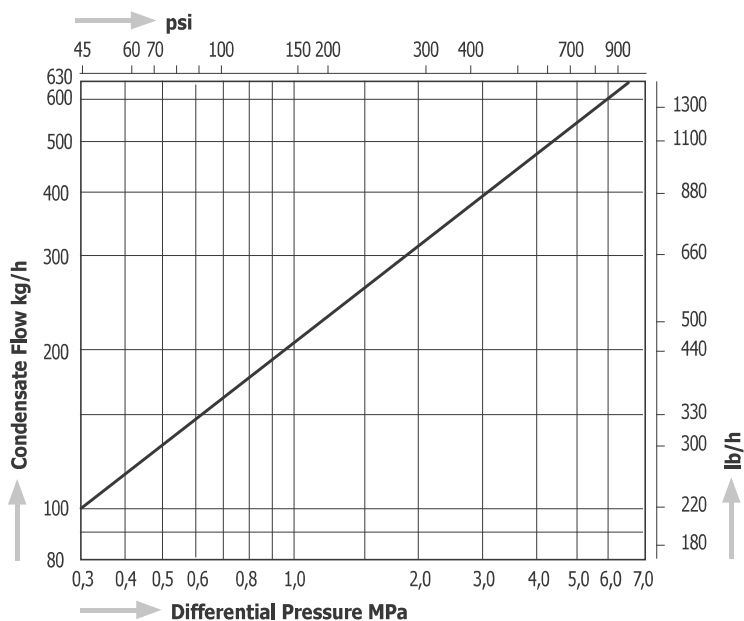


S61N, S62N

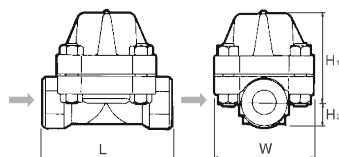


Capacity Chart S61N, S62N



Dimensions

S61N, S62N



S61NF, S62NF

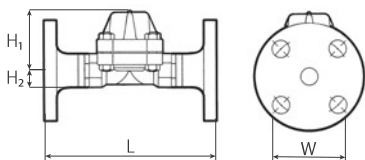


Table 1: Dimensions L and Weight

Model	Size (in)	JIS 30K				JIS 40K				JIS 63 K			
		mm	in	kg	lb	mm	in	kg	lb	mm	in	kg	lb
S61NF S62NF	1/2"	200	7.9	8,4	18.5	200	7.9	8,7	19.2	220	8.7	9,6	21.2
	3/4"	210	8.3	8,9	19.6	210	8.3	9,2	20.3	230	9.1	11,1	24.5
	1"	240	9.4	10,1	22.3	240	9.4	10,5	23.1	240	9.4	12,1	26.7

Model	Size (in)	ASME Class 300				ASME Class 600				ASME Class 900			
		mm	in	kg	lb	mm	in	kg	lb	mm	in	kg	lb
S61NF S62NF	1/2"	200	7.9	7,2	15.9	200	7.9	7,3	16.1	220	8.7	9,6	21.2
	3/4"	210	8.3	8,2	18.1	210	8.3	8,5	18.7	230	9.1	10,9	24.0
	1"	240	9.4	9,4	20.7	240	9.4	9,6	21.2	240	9.4	13,3	29.3

Model	Connections	Size	Operating Pressure Range		Max. Operating Temperature		Dimensions (mm)				Dimensions (in)				Body Material	Weight																															
			MPa	psig	°C	°F	L	H1	H2	W	L	H1	H2	W		kg	lb																														
S61N (S62N)	Screwed RC, NPT	1/2"	0,30 – 6,5	44 – 943	425 (S62N: 475)	800 (S62N: 887)	130	90	25	100	5.1	3.5	1.0	3.9	Forged Steel A105 (S62N: A182F22)	5,7	12.6																														
		3/4"														Table 1	Table 1	Table 1	Table 1	9,4	20.7																										
		1"																		11,4	25.1																										
S61NF (S62NF)	Flanged JIS, ASME	1/2"														0,30 – 6,5	44 – 943	425 (S62N: 475)	800 (S62N: 887)	210	90	25	100	8.3	3.5	1.0	3.9	Forged Steel A105 (S62N: A182F22)	12,5	27.6																	
		3/4"																											Table 1	Table 1	Table 1	Table 1	9,4	20.7													
		1"																															11,4	25.1													
S61NW (S62NW)	Socket Weld JIS, ASME, DIN	1/2"																											0,30 – 6,5	44 – 943	425 (S62N: 475)	800 (S62N: 887)	130	90	25	100	5.1	3.5	1.0	3.9	Forged Steel A105 (S62N: A182F22)	5,7	12.6				
		3/4"																																								Table 1	Table 1	Table 1	Table 1	9,4	20.7
		1"																																												11,4	25.1